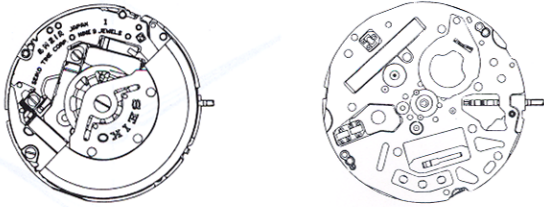


PARTS CATALOGUE/TECHNICAL GUIDE

Cal. 4M21A

[SPECIFICATIONS]

Item		Cal. No.	4M21A
Movement			 <p style="text-align: right;">(x 1.0)</p>
Movement size	Outside diameter		ø26.4 mm
	Casing diameter		ø25.6 mm
	Height		2.7 mm
Time indication			3 hands
Driving system			Step motor (Load compensated driving pulse type)
Additional mechanism			<ul style="list-style-type: none"> • Automatic generating system • Power reserve indicator • Overcharge prevention function • Energy depletion forewarning function • Electronic circuit reset switch • Train wheel setting device
Loss/gain			Monthly rate at normal temperature range: less than 15 seconds
Regulation system			Nil
Measuring gate by quartz tester			Use 10-second gate.
Power supply	Power generator		Automatic generating system
	Capacitor		Polyacene lithium condenser
Operating voltage range			0.5 ~ 2.3 V
Duration of charge			From full charge to stoppage: Approx. 72 hours (3 days)
Jewels			9 jewels

Disassembling procedures Figs. :

① → ④⑥

Reassembling procedures Figs. :

④⑥ → ①

Lubricating: Types of oil

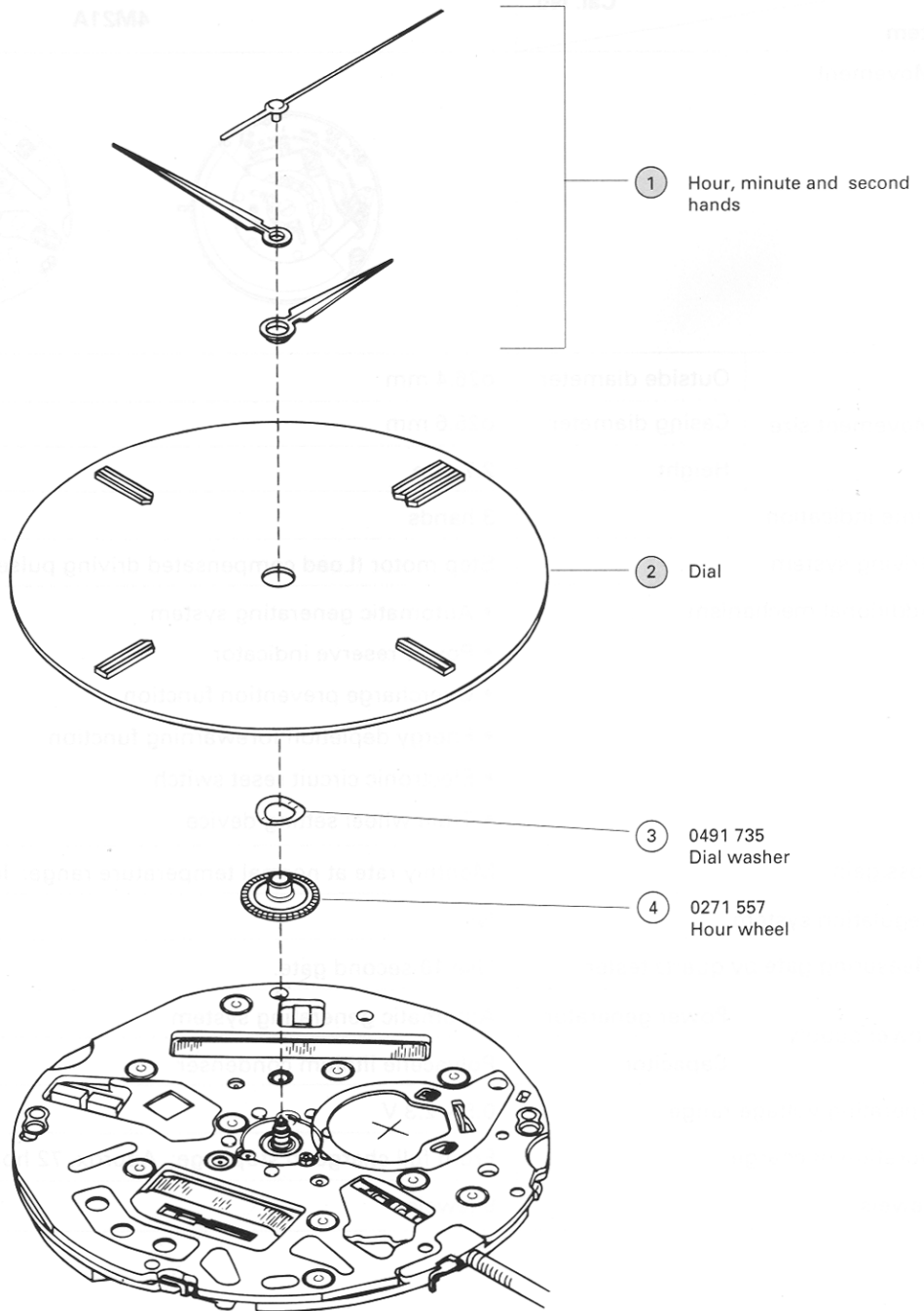
Oil quantity

● Moebius A

○ Normal quantity

○ SEIKO Watch Oil S-6

○ Liberal quantity



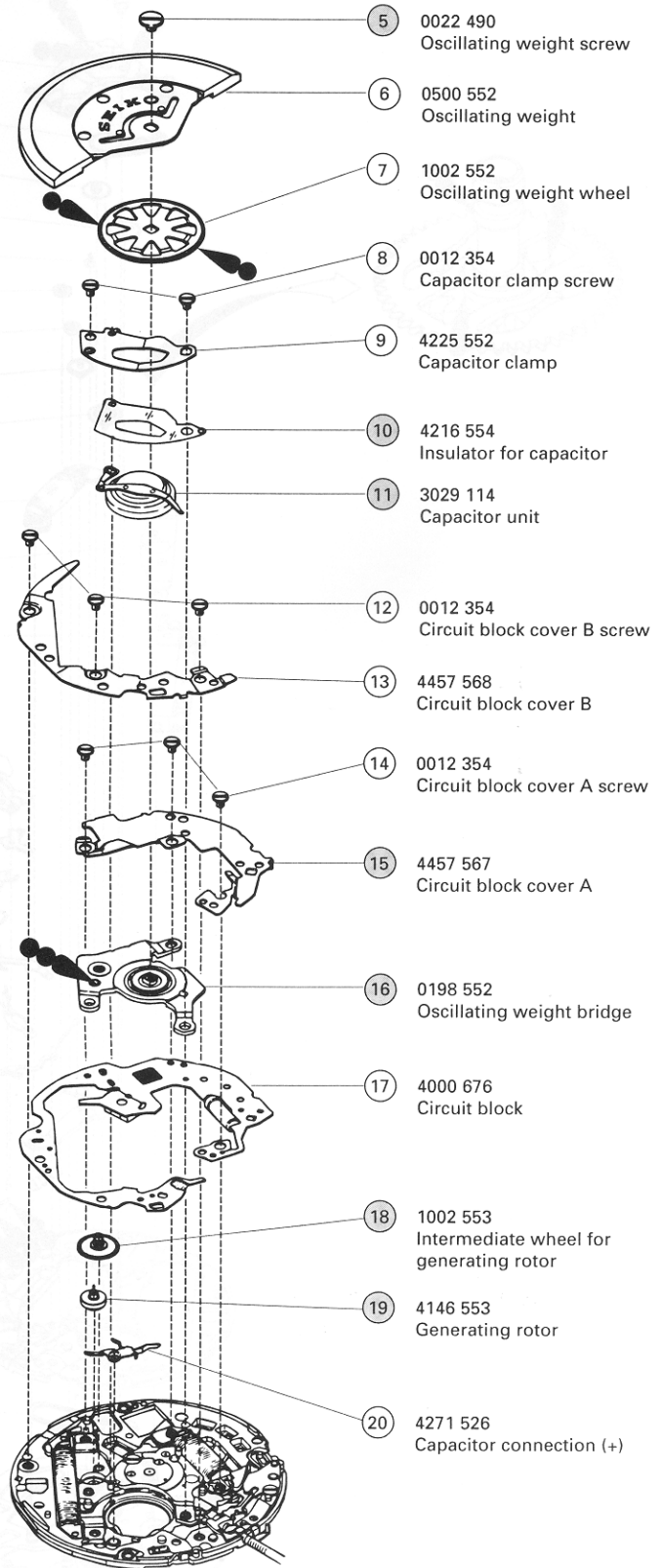
① Hour, minute and second hands

② Dial

③ 0491 735
Dial washer

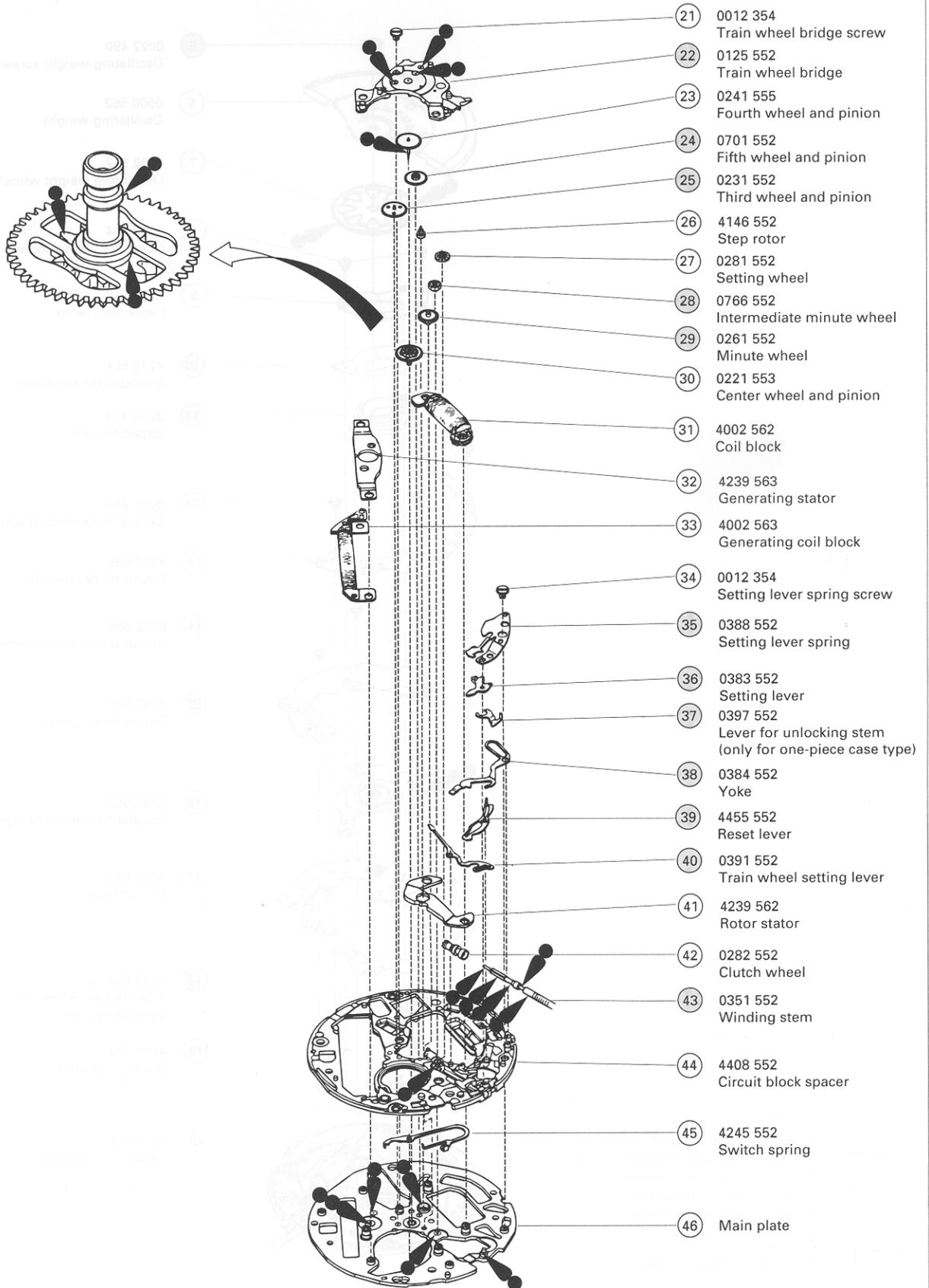
④ 0271 557
Hour wheel


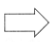
● → Please see the remarks on the following pages.
(Lubricating of some parts is shown in "II. REMARKS ON DISASSEMBLING AND REASSEMBLING")



	0012 354	
	• Capacitor clamp screw	(2 pcs.)
	• Circuit block cover B screw	(3 pcs.)
	• Circuit block cover A screw	(3 pcs.)
	• Train wheel bridge screw	(1 pc.)
	0022 490	
	• Oscillating weight screw	(1 pc.)

Please see the remarks on the following pages.
 (Lubricating of some parts is shown in "II. REMARKS ON DISASSEMBLING AND REASSEMBLING")





 Please see the remarks on the following pages.
 (Lubricating of some parts is shown in "II. REMARKS ON DISASSEMBLING AND REASSEMBLING")