

**SEIKO**

**QUARTZ**

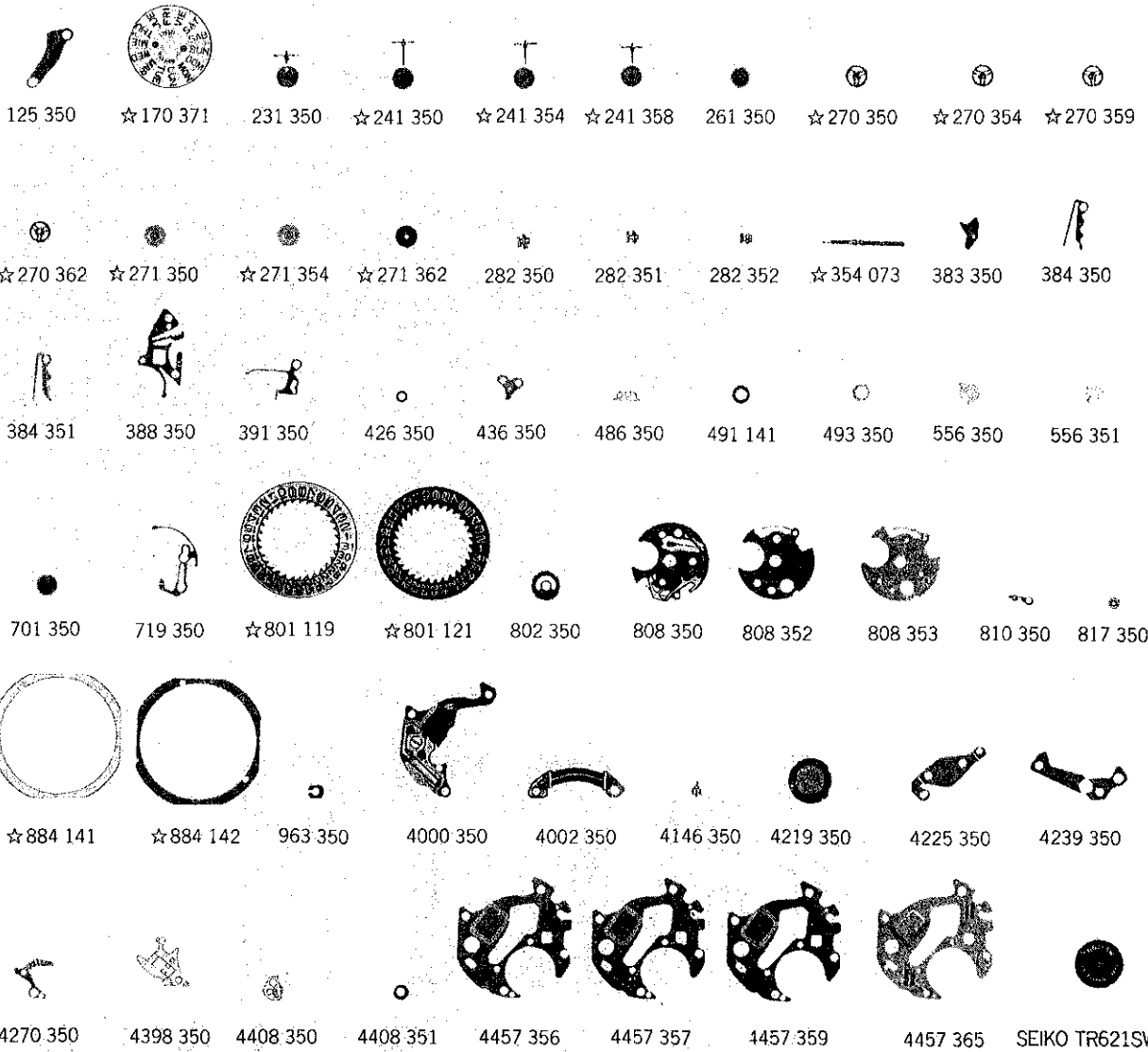
**Cal. 2A series  
(2A22, 2A23, 2A27, 2A29)**

**PARTS  
CATALOGUE**

# Cal. 2A series



(Cal. 2A22A)



012 005	012 006	012 007	012 008	012 012	012 798	032 001	032 002
							2/1
032 003	032 004	032 005	032 006	032 007	032 008	032 009	

# Cal. 2A series (2A22, 2A23, 2A27, 2A29)

## Characteristics

	2A22	2A23	2A27	2A29
Casing diameter			$\phi$ 17.6 mm	
Maximum height	2.4 mm	2.8 mm	2.7 mm	2.4 mm
Jewels	2 j			
Frequency of quartz crystal oscillator	32,768 Hz (Hz = Hertz . . . . Cycles per second)			
Driving system	Step motor (2 poles)			
Regulation system	Trimmer condenser			
Train wheel setting	○	○	○	○
Calendar	Date	Day/Date	---	Date
Instant setting device	Date	Day/Date	---	Date
Bilingual change-over system for day of the week	---	○	---	---
Battery life indicator	○	○	---	---

PART NO.	PART NAME	PART NO.	PART NAME
<b>125 350</b>	Train wheel bridge	<b>491 141</b>	Dial washer
☆ <b>170 371</b>	Day star with dial disk (Cal. 2A23)	<b>493 350</b>	Hour wheel ring (Cal. 2A27)
<b>231 350</b>	Third wheel & pinion	<b>556 350</b>	Date finger (Cal. 2A23)
☆ <b>241 350</b>	Fourth wheel & pinion (Cal. 2A23)	<b>556 351</b>	Date finger (Cal. 2A22, 2A29)
☆241 352		<b>701 350</b>	Fifth wheel & pinion
☆241 353		<b>719 350</b>	Day corrector (Cal. 2A23)
☆ <b>241 354</b>		☆ <b>801 119</b>	Date dial (Cal. 2A22, 2A29)
☆241 355		☆801 120	
☆241 356	Fourth wheel & pinion (Cal. 2A22)	☆ <b>801 121</b>	Date dial (Cal. 2A23)
☆241 357	Fourth wheel & pinion (Cal. 2A22, 2A23)	<b>802 350</b>	Date driving wheel (Cal. 2A22, 2A23, 2A29)
☆ <b>241 358</b>	Fourth wheel & pinion (Cal. 2A27A, 2A29)	<b>808 350</b>	Date dial guard (Cal. 2A23)
<b>261 350</b>	Minute wheel	<b>808 352</b>	Date dial guard (Cal. 2A22, 2A29)
☆ <b>270 350</b>	Center minute wheel (Cal. 2A23)	<b>808 353</b>	Date dial guard (Cal. 2A27)
☆270 351		<b>810 350</b>	Date jumper (Cal. 2A22, 2A23, 2A29)
☆270 352		<b>817 350</b>	Intermediate date wheel (Cal. 2A22, 2A23, 2A29)
☆270 353		☆ <b>884 141</b>	Holding ring for dial (Cal. 2A23)
☆ <b>270 354</b>		☆ <b>884 142</b>	Holding ring for dial (Cal. 2A22, 2A29)
☆270 355		☆884 145	Holding ring for dial (Cal. 2A27)
☆270 356		<b>963 350</b>	Snap for day star with dial disk (Cal. 2A23)
☆270 357		<b>4000 350</b>	Circuit block
☆270 358		<b>4002 350</b>	Coil block (Cal. 2A22, 2A23, 2A29)
☆ <b>270 359</b>		4002 351	Coil block (Cal. 2A27)
☆ <b>270 362</b>	<b>4146 350</b>	Step rotor (Cal. 2A22, 2A23, 2A29)	
☆ <b>271 350</b>	4146 351	Step rotor (Cal. 2A27)	
☆271 351	<b>4219 350</b>	Battery connection insulator	
☆271 352	<b>4225 350</b>	Battery clamp (Cal. 2A22, 2A23, 2A29)	
☆271 353	<b>4239 350</b>	Rotor stator	
☆ <b>271 354</b>	<b>4270 350</b>	Battery connection (—)	
☆271 355	<b>4398 350</b>	Crystal oscillator spacer	
☆271 356	<b>4408 350</b>	Dial spacer	
☆ <b>271 362</b>	<b>4408 351</b>	Circuit block spacer	
<b>282 350</b>	<b>4457 356</b>	Circuit block cover (Cal. 2A23)	
<b>282 351</b>	<b>4457 357</b>	Circuit block cover (Cal. 2A22)	
<b>282 352</b>	<b>4457 359</b>	Circuit block cover (Cal. 2A29)	
☆ <b>354 073</b>	<b>4457 365</b>	Circuit block cover (Cal. 2A27)	
☆354 350	011 334	Upper hole jewel for step rotor	
☆354 361	011 334	Lower hole jewel step rotor	
<b>383 350</b>	<b>012 005</b>	Train wheel bridge screw	
<b>384 350</b>	<b>012 005</b>	Circuit block cover screw	
<b>384 351</b>	<b>012 005</b>	Setting lever spring screw	
<b>388 350</b>			
<b>391 350</b>			
<b>426 350</b>			
<b>436 350</b>			
<b>486 350</b>			

☆⇒Please see remarks on the reverse page.  
Part numbers in light letters are not shown in photos.

# Cal. 2A series (2A22, 2A23, 2A27, 2A29)

PART NO.	PART NAME	PART NO.	PART NAME
012 006	Date jumper screw (A) (Cal. 2A23, 2A27)	032 003	Tube for circuit block cover screw (A)
012 007	Date jumper screw (B) (Cal. 2A23, 2A27)	032 004	Tube for circuit block cover screw (B)
012 008	Date driving wheel screw (Cal. 2A22, 2A23, 2A29)	032 005	Tube for circuit block cover screw (C)
012 012	Minute hand screw (Silver) (Cal. 2A27)	032 006	Tube for setting lever spring screw
012 013	Minute hand screw (Gold) (Cal. 2A27)	032 007	Tube for date jumper screw (A) (Cal. 2A23, 2A27)
012 798	Date jumper screw (B) (Cal. 2A22, 2A29)	032 008	Tube for date jumper screw (B) (Cal. 2A23, 2A27)
032 001	Tube for train wheel bridge (A)	032 009	Tube for train wheel bridge (B) (Cal. 2A22, 2A29)
032 002	Tube for train wheel bridge (B) (Cal. 2A23, 2A27)	SEIKO TR621SW	Silver (II) oxide batter

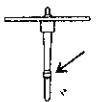
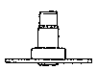

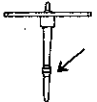


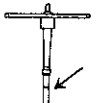





## Remarks :

Fourth wheel & pinion, Center minute wheel, Hour wheel

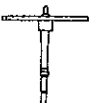





There are some different types as specified below.

Combination :

Cal. 2A22A

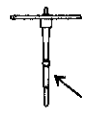


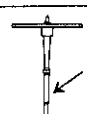
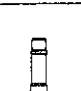

Type	Fourth wheel & pinion	Center minute wheel	Hour wheel
a	 ☆241 354	 ☆270 354	 ☆271 354
* b	 ☆241 355	 ☆270 355	 ☆271 355
c	 ☆241 356	 ☆270 356	 ☆271 356
d	 ☆241 357	 ☆270 357	 ☆271 350

Cal. 2A23A

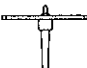
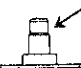

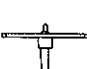


Type	Fourth wheel & pinion	Center minute wheel	Hour wheel
a	 ☆241 350	 ☆270 350	 ☆271 350
* b	 ☆241 357	 ☆270 351	 ☆271 351

# Cal. 2A series (2A22, 2A23, 2A27, 2A29)

## Remarks :

Type	Fourth wheel & pinion	Center minute wheel	Hour wheel
c	 ☆241 352	 ☆270 352	 ☆271 352
*d	 ☆241 353	 ☆270 353	 ☆271 353

## Cal. 2A29A

Type	Fourth wheel & pinion	Center minute wheel	Hour wheel
*a	 ☆241 358	 ☆270 359	 ☆271 354
b	 ☆241 358	 ☆270 358	 ☆271 355

\*As of this printing the types marked with "\*" are not used. However it may be employed in the future with certain case designs.

## Day star with dial disk

- ☆170 371 (English-Spanish, black figures on white background).....  
 .....Used when both the crown and the calendar frame located at 3 o'clock position  
 If any other type of day star with dial disk is required, specify the number printed on the disk.

## Winding stem

- ☆354 073.....Refer to the photograph on the front page.  
 If the combination of the winding stem and case is unknown, check the case number and refer to "SEIKO Quartz Casing Parts Catalogue" to choose a corresponding winding stem.

## Date dial

- ☆801 119 (Black figures on white background) (Cal. 2A22, 2A29) } Used when both the crown and the  
 ☆801 121 (White figures on black background) (Cal. 2A23) } .....calendar frame are located at  
 3 o'clock position.  
 ☆801 120 (Black figures on white background) (Cal. 2A22, 2A29).....  
 .....Used when the crown are located at 3 o'clock position and the calendar frame at  
 6 o'clock position.  
 If any other type of date dial is required, specify ① Cal. No. ② The crown position  
 ③ The calendar frame position ④ Dial No.

## Holding ring for dial

- ☆884 141 } The type of a holding ring for dial is determined based on the design on cases.  
 ☆884 142 } .....If there is different from the photograph, check the case number and refer to  
 ☆884 145 } "SEIKO Quartz Casing Parts Catalogue" to choose a corresponding  
 holding ring for dial.

## Battery

- ☆SEIKO TR621SW.....The substitutive battery might be added to the applied battery in the future.  
 In that case, please refer to separate "BATTERY LIST FOR SEIKO QUARTZ WATCHES".  
 Note that SEIKO battery is marked with "SEIZAIKEN" on its (+) side.