

SEIKO

QUARTZ

Cal. 7430A

**PARTS
CATALOGUE**

Cal. 7430A



125 491



231 490



241 494



261 495



☆270 493



☆271 493



282 496



☆354 077



383 496



384 496



388 496



436 496



491 220



493 220



701 490



4001 416



4002 495



4146 496



4219 495



4219 496



4219 497



4239 495



4270 495



4271 495



4446 495



☆SEIKO TR721SW



012 170



012 469



☆012 766



☆012 778



017 549



017 634



017 636



017 637



017 639



017 640



017 651



017 652



017 972

2/1

Cal. 7430A

Characteristics

Casing diameter : ϕ 22.0 mm
 Maximum height : 2.1 mm without battery
 Jewels : 2 j
 Frequency of quartz crystal oscillator : 32,768 Hz (Hz = Hertz Cycles per second)
 Driving system : Step motor (2 poles)
 Regulation system : Trimmer condenser
 Train wheel setting

PART NO.	PART NAME	PART NO.	PART NAME
125 491	Train wheel bridge	017 639	Tube for circuit block screw (B)
231 490	Third wheel & pinion	017 640	Tube for setting lever spring screw
241 494	Fourth wheel & pinion	017 651	Tube for circuit block screw (A)
261 495	Minute wheel	017 652	Tube for train wheel bridge (B)
☆270 038	Center minute wheel & cannon pinion	017 972	Eccentric dial pin
☆270 493		☆SEIKO TR721SW	Silver (II) oxide battery
☆271 057	Hour wheel		
☆271 493	Clutch wheel		
282 496	Winding stem (12.23 mm)		
☆354 077	Winding stem (16.13 mm)		
☆354 079	Setting lever		
383 496	Yoke		
384 496	Setting lever spring		
388 496	Lower end-piece for third wheel		
436 496	Dial washer		
491 220	Hour wheel ring		
493 220	(Thickness 0.03 mm, Gold)		
493 221	Hour wheel ring		
	(Thickness 0.05 mm, Silver)		
493 222	Hour wheel ring		
	(Thickness 0.10 mm, Silver)		
493 223	Hour wheel ring		
	(Thickness 0.07 mm, Gold)		
701 490	Fifth wheel & pinion		
4001 416	Circuit block		
4002 495	Coil block		
4146 496	Step rotor		
4219 495	Battery connection insulator (A)		
4219 496	Battery connection insulator (B)		
4219 497	Battery connection insulator (C)		
4239 495	Rotor stator		
4270 495	Battery connection (-)		
4271 495	Battery connection (+)		
4446 495	Crystal unit cushion		
011 541	Upper hole jewel for step rotor		
011 541	Lower hole jewel for step rotor		
012 170	Train wheel bridge screw		
012 170	Coil block screw		
012 170	Circuit block screw		
012 469	Case screw		
☆012 766	Lower end-piece screw for third wheel		
☆012 778	Setting lever spring screw		
017 549	Minute wheel pin		
017 634	Tube for train wheel bridge (A)		
017 636	Tube for coil block screw (A)		
017 637	Tube for coil block screw (B)		

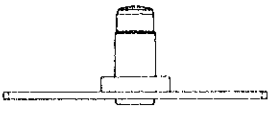



☆ ⇨ Please see remarks on the reverse page.
 Part numbers in light letters are not shown in photos.

Cal. 7430A

Remarks :

Center minute wheel & cannon pinion, Hour wheel

There are two different types as specified below.
Combination :

Type	Center minute wheel & cannon pinion	Hour wheel
a	 ☆270 038	 ☆271 057
b	 ☆270 493	 ☆271 493

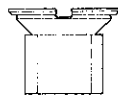
Winding stem

☆354 077 }Refer to the photograph on the front page.
 ☆354 079 }

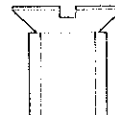
If the combination of the winding stem and case is unknown, check the case number and refer to "SEIKO Quartz Casing Parts Catalogue" to choose a corresponding winding stem.

Lower end-piece screw for third wheel, Setting lever spring screw.

☆012 766 }Refer to the illustration below for the shape of lower end-piece screw for third
 ☆012 778 } wheel and setting lever spring screw.



☆012 766



☆012 778

Battery

☆SEIKO TR721SW.....The substitutive battery might be added to the applied battery in the future.

In that case, please refer to separate "BATTERY LIST FOR SEIKO QUARTZ WATCHES".
 Note that SEIKO battery is marked with "SEIZAIKEN" on its (+) side.