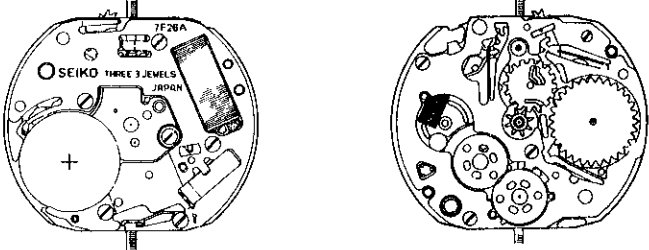


PARTS CATALOGUE/TECHNICAL GUIDE

Cal. 7F22A, 7F24A Cal. 7F26A, 7F27A

[SPECIFICATIONS]

Cal. No.		7F27A	7F26A	7F24A	7F22A	
Item						
Movement		 <p>The illustrations refer to Cal. 7F26A. (x 1.5)</p>				
Movement size	Outside diameter	ϕ 24.0 mm 20.0 mm between 3 o'clock and 9 o'clock sides				
	Casing diameter	ϕ 23.3 mm 20.0 mm between 3 o'clock and 9 o'clock sides				
	Height	2.5 mm not including battery portion				
Time indication		3 hands	2 hands			
Driving system		Step motor (Load compensated driving pulse system)				
Additional mechanism		24-hour hand (additional hour hand) (9 o'clock side)		24-hour hand (additional hour hand) (12 o'clock side)		
		Dual time function				
		Day hand			—	
		Date hand				
		Instant calendar (day and date) setting device			Instant calendar (date) setting device	
		Train wheel setting device				
		Electronic circuit reset switch				
		Battery life indicator		—		
Loss/gain		Monthly rate at normal temperature range: less than 15 seconds				
Regulation system		Nil				
Measuring gate by quartz tester		Use 10-second gate.				
Battery		SEIKO SR916SW, Maxell SR916SW Battery life is approximately 3 years. Voltage: 1.55V				
Jewels		3 jewels				

PARTS CATALOGUE

Cal. 7F26A, 7F27A

Disassembling procedures Figs.: ① → ④⑦

Reassembling procedures Figs.: ④⑦ → ①

Lubricating: Types of oil

- Moebius A
- ∞ SEIKO Watch Oil S-6
- ∞ Silicone oil 500,000 c.s.

Oil quantity

- ∞ Normal quantity

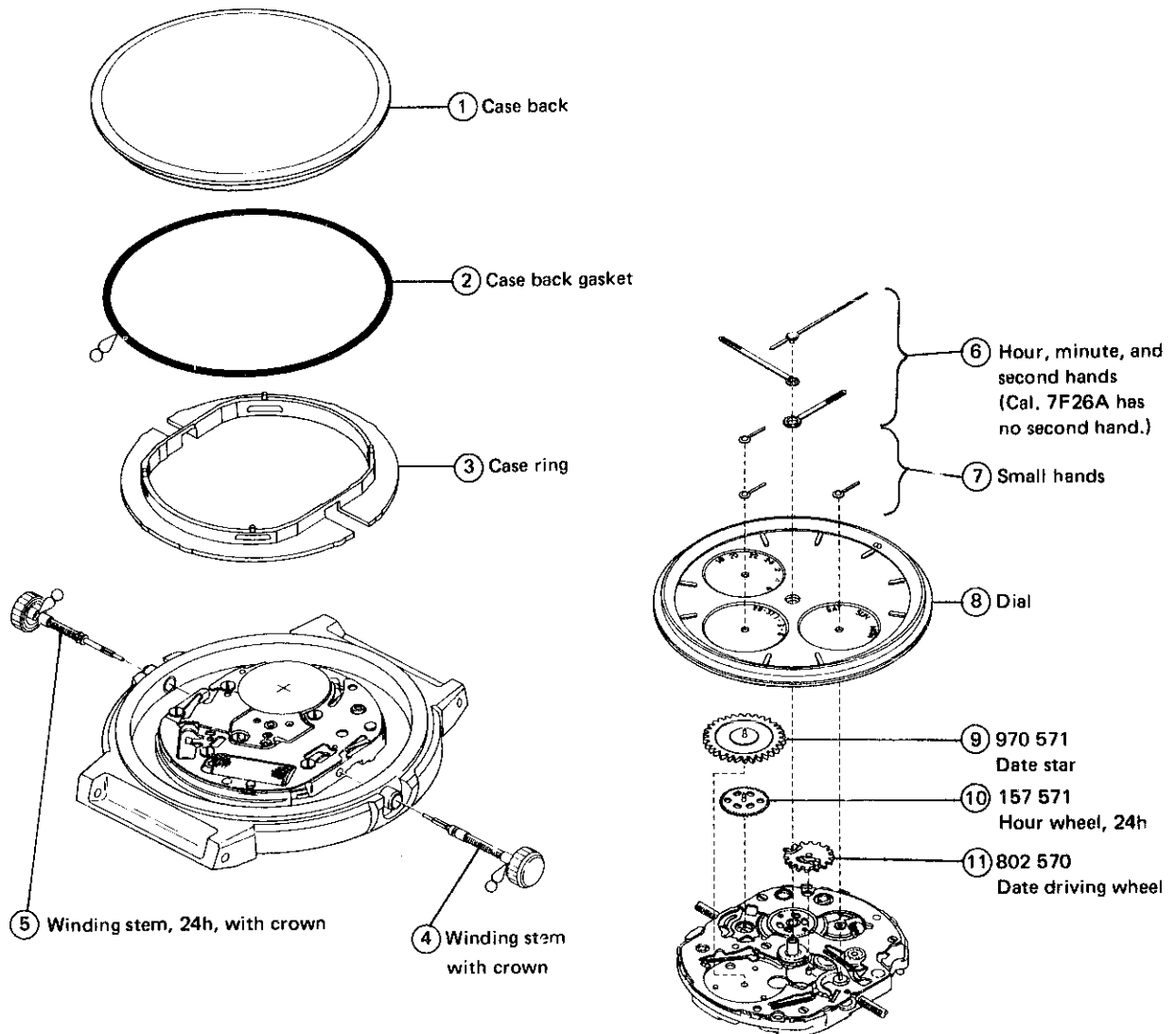
Note: ∞

SEIKO Watch Oil S-6 is used to lubricate the center wheel and pinion.

For its lubricating positions, refer to "PARTS CATALOGUE/TECHNICAL GUIDE" for Cal. 7F39A.

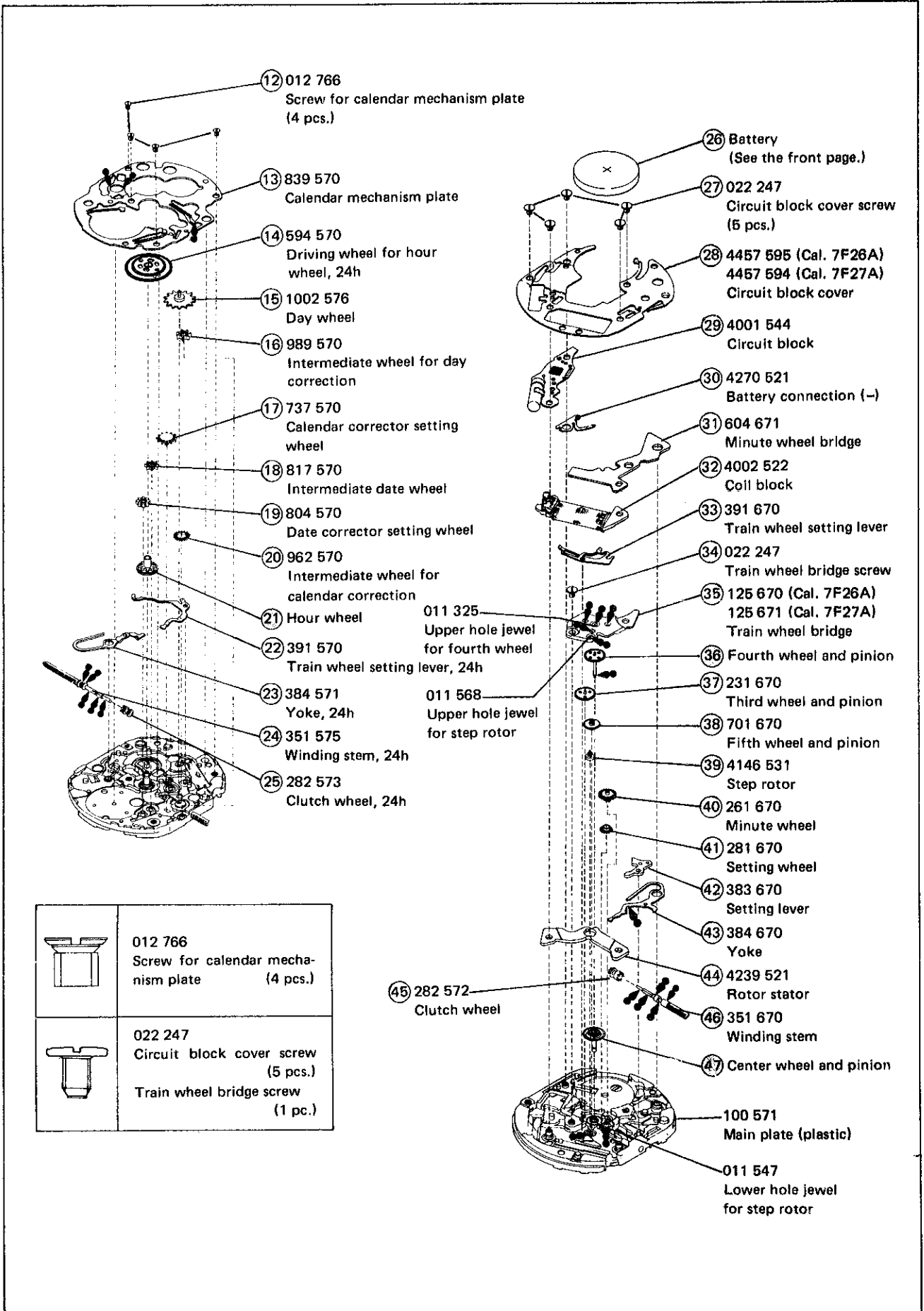
○ ⇨ Please see the remarks on the following pages.


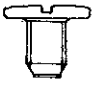

Ex.: Cal. 7F27A



PARTS CATALOGUE

Cal. 7F26A, 7F27A



	012 766 Screw for calendar mechanism plate (4 pcs.)
	022 247 Circuit block cover screw (5 pcs.)
	391 670 Train wheel bridge screw (1 pc.)

PARTS CATALOGUE

Cal. 7F24A

Disassembling procedures Figs.: ① → ④⑧
 Reassembling procedures Figs.: ④⑧ → ①

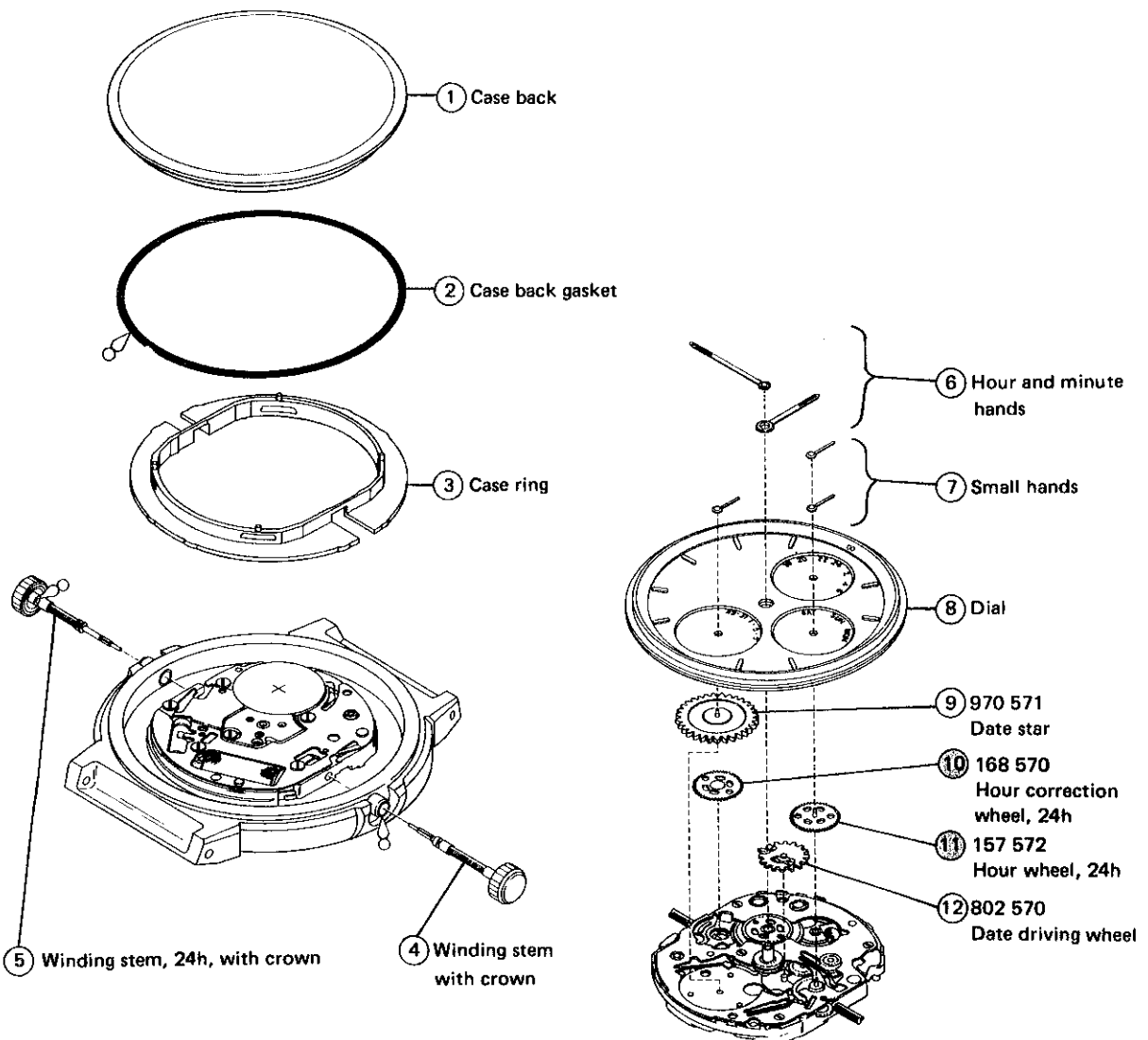
Lubricating: Types of oil

- Moebius A
- ∞ SEIKO Watch Oil S-6
- ∞ Silicone oil 500,000 c.s.

Oil quantity

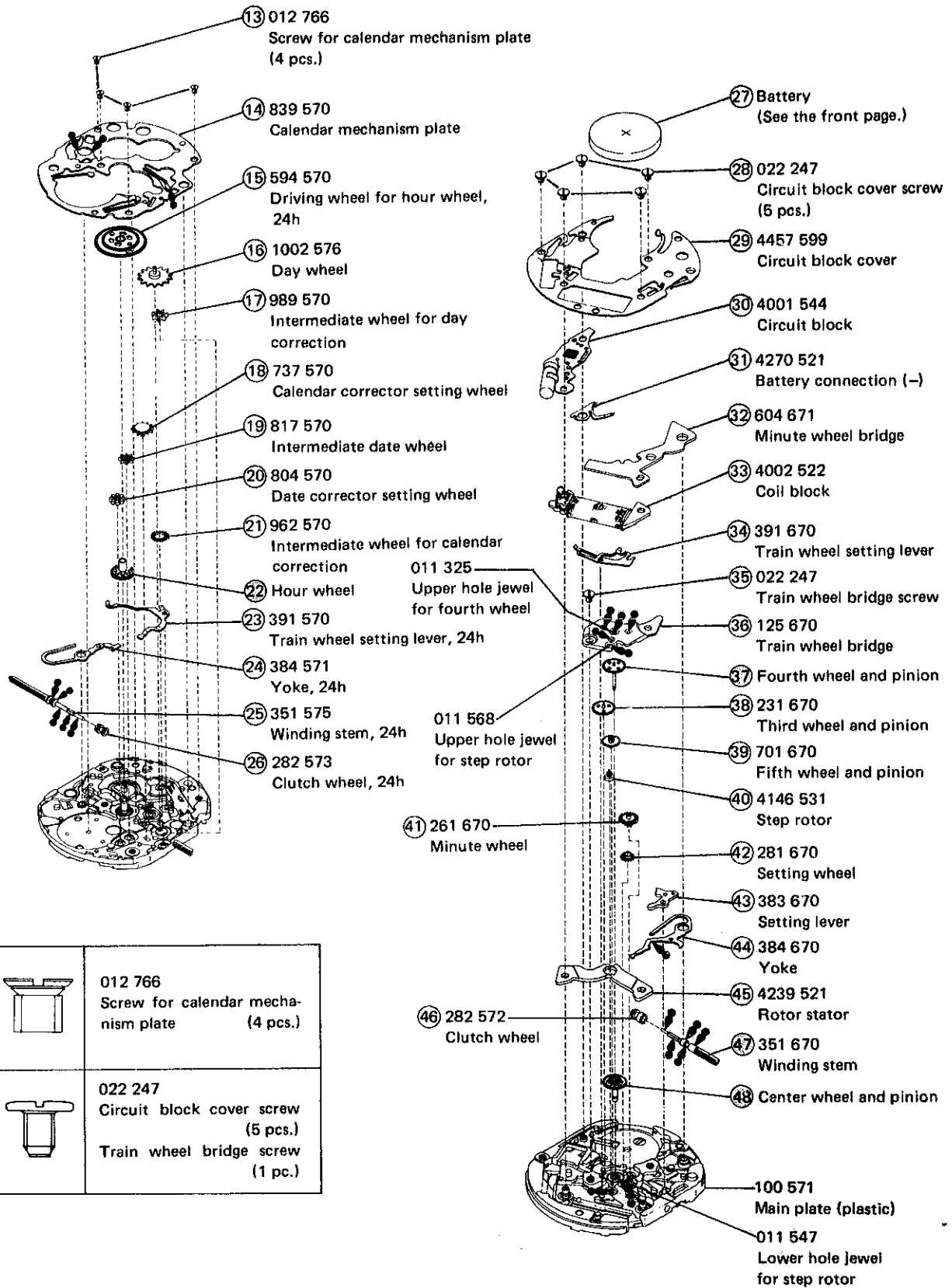
- ∞ Normal quantity

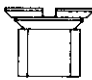

⊙ ➔ Please see the remarks on the following pages.



PARTS CATALOGUE

Cal. 7F24A



	012 766 Screw for calendar mechanism plate (4 pcs.)
	022 247 Circuit block cover screw (5 pcs.) Train wheel bridge screw (1 pc.)

PARTS CATALOGUE

Cal. 7F22A

Disassembling procedures Figs.: ① → ④⑦

Reassembling procedures Figs.: ④⑦ → ①

Lubricating: Types of oil

Oil quantity

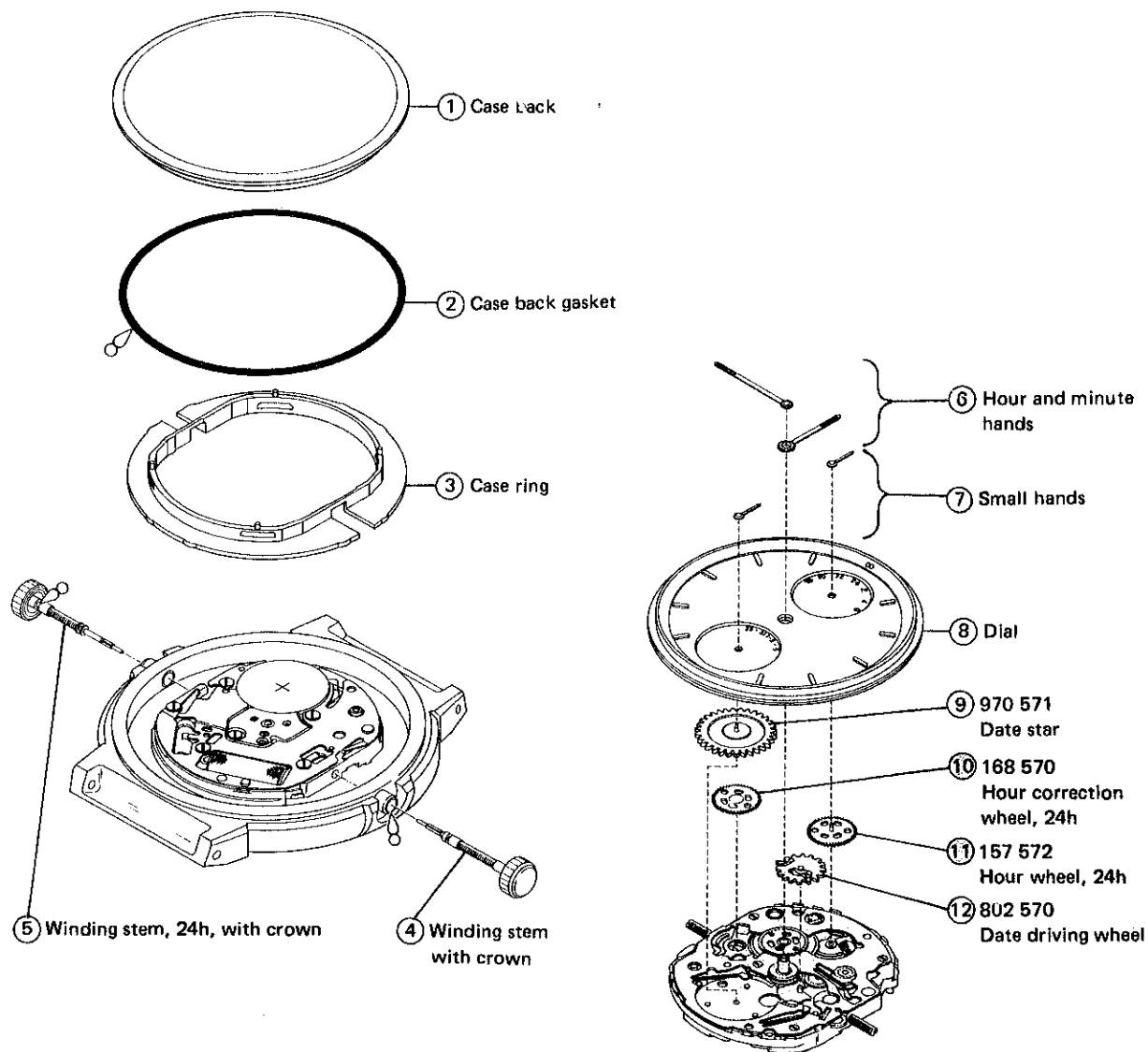
● Moebius A

○ Normal quantity

○ SEIKO Watch Oil S-6

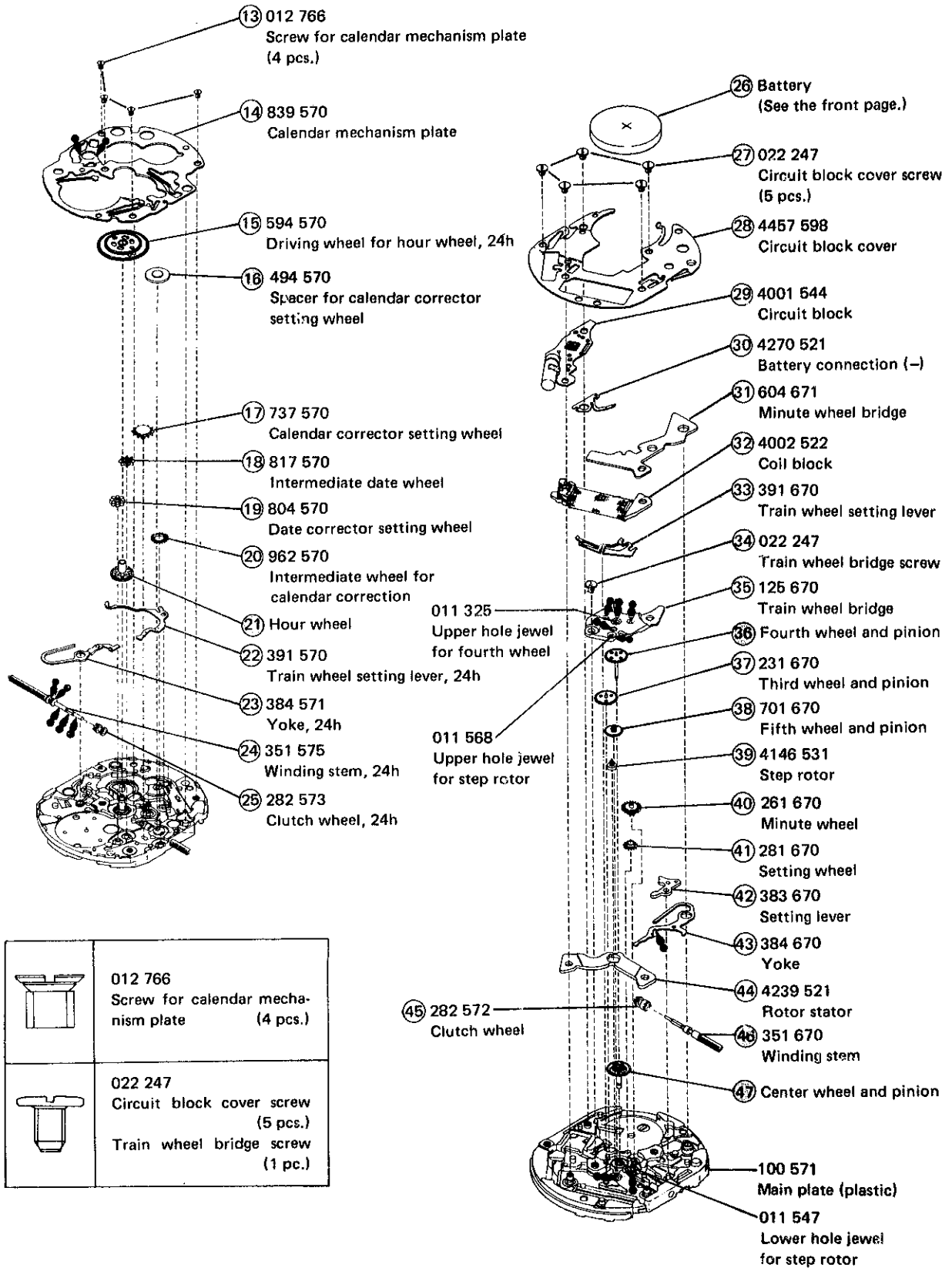
○ Silicone oil 500,000 c.s.

○ ➔ Please see the remarks on the following pages.



PARTS CATALOGUE

Cal. 7F22A



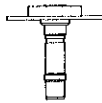

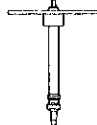
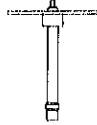
PARTS CATALOGUE

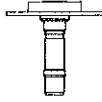

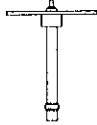
Cal. 7F22A, 7F24A
7F26A, 7F27A

Remarks:

- Hour wheel
- Fourth wheel and pinion
- Center wheel and pinion

Combination:

Cal. No.	7F27A, 7F26A		7F27A	7F26A
	Part	Center wheel and pinion	Hour wheel	Fourth wheel and pinion
M				
	221 572	271 573	241 572	241 575

Cal. No.	7F24A, 7F22A			
	Part	Center wheel and pinion	Hour wheel	Fourth wheel and pinion
M				
	221 572	271 573	241 575	

*Abbreviation : M ... Standard type
(Movement type)

Parts combination varies, depending on the design of cases. Refer to "SEIKO Casing Parts Catalogue".

- Winding stem

The winding stem for ordinary time and calendar setting and the winding stem for 24-hour time setting slightly differ from each other in shape. Refer to the illustrations below to distinguish them.



351 670

(for ordinary time and calendar setting — on the 3 o'clock side)



With a step here

351 575

(for 24-hour time setting — on the 9 o'clock side)

*Their types vary, depending on the design of case. Refer to "SEIKO Casing Parts Catalogue" to choose their corresponding types.

TECHNICAL GUIDE

Cal. 7F22A, 7F24A
7F26A, 7F27A

- The explanation here is only for the particular points of Cal. 7F22A, 7F24A, 7F26A, and 7F27A.
- For the repairing, checking and measuring procedures, refer to the "TECHNICAL GUIDE, GENERAL INSTRUCTION".

I. DIFFERENCES FROM CAL. 7F3 SERIES AND CAL. 7F6 SERIES

Cal. No.	7F27A, 7F26A	7F24A	7F22A
Eliminated parts	<ul style="list-style-type: none"> • Holding ring for dial • Moon phase indicator • Moon phase indicator driving wheel • Intermediate moon phase wheel 		
	-		<ul style="list-style-type: none"> • Day wheel • Intermediate wheel for day correction
Added parts	-		<ul style="list-style-type: none"> • Hour correction wheel, 24h
	-		<ul style="list-style-type: none"> • Spacer for calendar corrector setting wheel
Differences in reassembly	<ul style="list-style-type: none"> • Unlike Cal. 7F3 Series or 7F6 Series, there is no lunar calendar mechanism. 	<ul style="list-style-type: none"> ⑪ Set the hour wheel, 24h into the moon phase indicator axle hole of the main plate. ⑩ Set the hour correction wheel, 24h into the hour wheel, 24h axle hole of the main plate. 	
		-	<ul style="list-style-type: none"> ⑬ Set the spacer for calendar corrector setting wheel into the day wheel axle hole of the main plate.

II. REMARKS ON DISASSEMBLING AND REASSEMBLING

These calibers are the same as Cal. 7F39A except that they have no lunar calendar. For details of the remarks on disassembling and reassembling, refer to the "PARTS CATALOGUE/TECHNICAL GUIDE" for Cal. 7F38A, 7F39A, 7F68A, and 7F69A.